

# ANTIVIBRATION TABLE



release date 01-12-2014



An anti vibration table is designed for cooperation with analytical and laboratory balance or control scales. Its construction provides stable operation during precise weighing processes.

Working table has a separate basis and HPL chipboard top.

The top has an opening for stone plate which is a stabilizing element of the anti vibration table. Table construction is made of mild steel profiles with adjustable feet for height regulation. A stone plate is supported by an independent basis for improvement of stability.

Anti vibration table components as well as the top can be manufactured in stainless steel technology (acid-proof), and table dimensions are adjustable to customer requirements.

Anti vibration table is accessible in three options:

**SAL / C** – anti vibration table in mild steel technology for laboratory balances

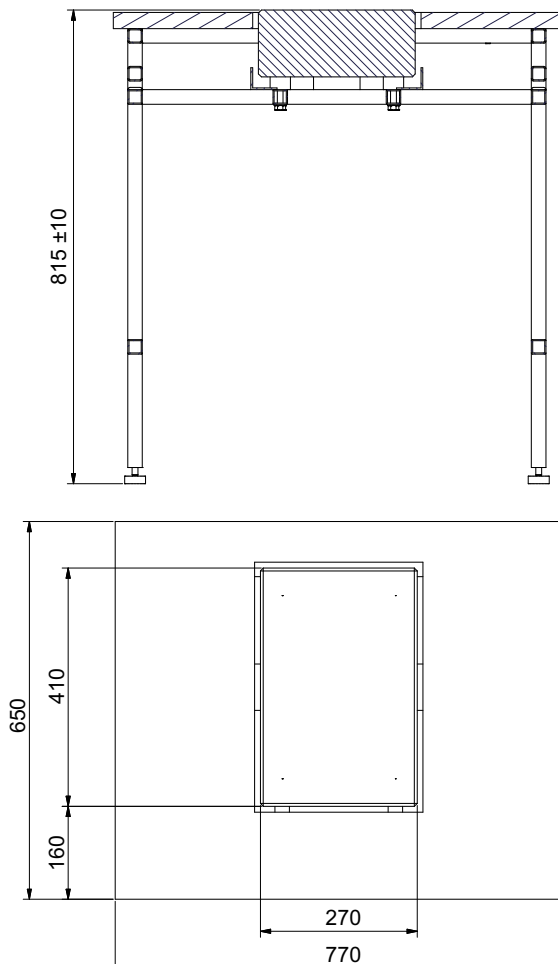
**SAL / H** – anti vibration table in stainless steel technology for laboratory balances

**SAP / C** – anti vibration table in mild steel technology for industrial scales

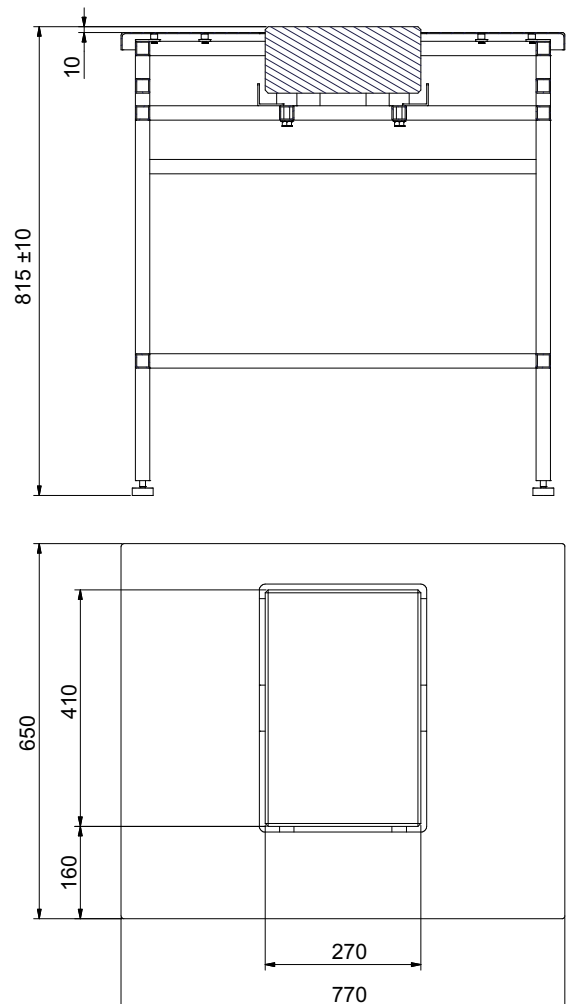
**SAP / H** – anti vibration table in stainless steel technology for industrial scales

## Dimensions:

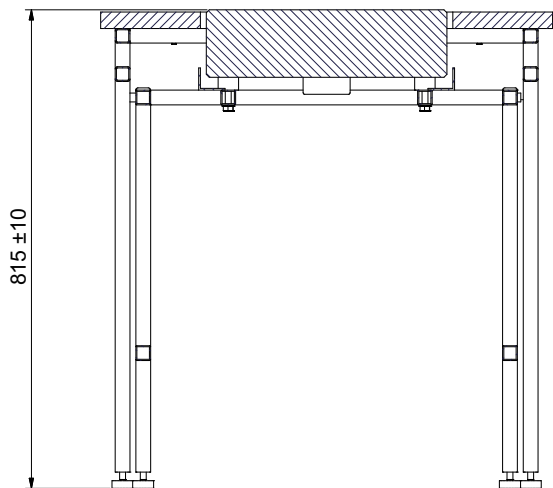
SAL / C version



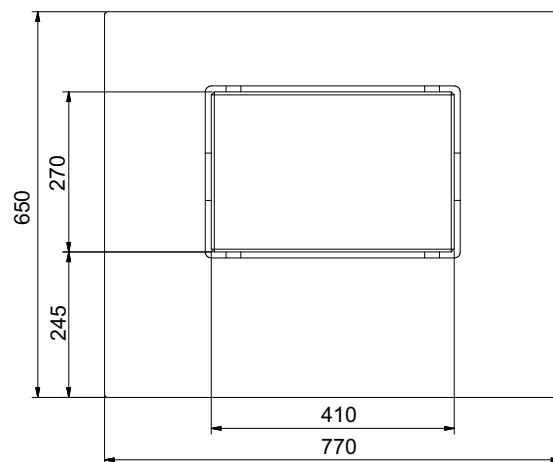
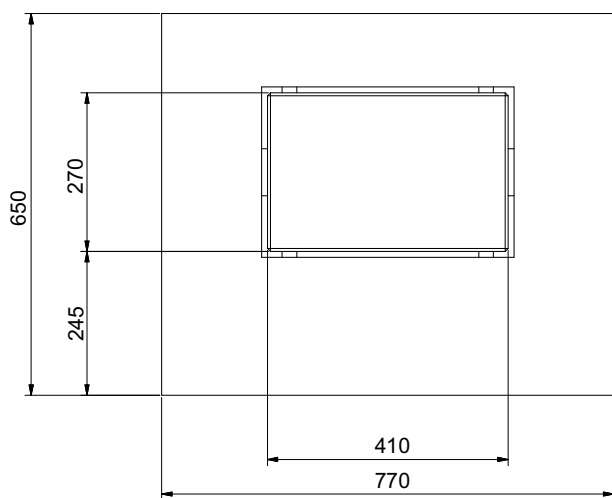
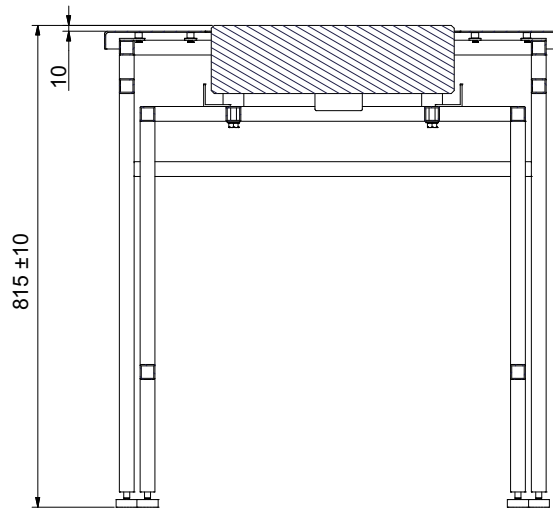
SAL / H version



SAP / C version



SAP / H version



**Technical data:**

Marble plate:

Length	410 mm
Width	270 mm
Height	115 mm
Weight	~34 kg

Working table:

Length	770 mm
Width	650 mm
Height	815 mm
Weight	~21 kg