

Pallet truck scale KERN VHB



Pallet truck scale with complete protection against dust and water splashes IP65/67 and a memory for a container weight

Features

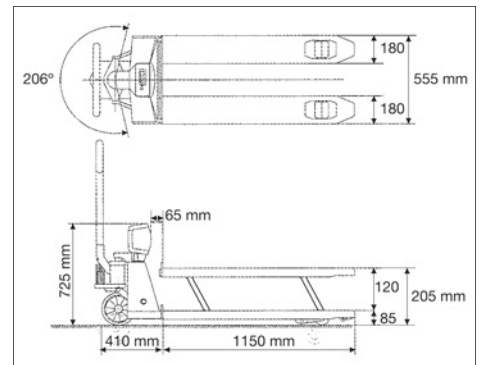
- **PRE-TARE function** for manual subtraction of a known container weight, value can be saved
- **1 Display device:** Protection against dust and water splashes IP65
- **2 Load fork:** Protection against dust and water splashes IP67, temporary use in wet areas possible
- **Pivot range 206°**
- **Castors:** Solid rubber on aluminium rims
- **3 Load rollers:** Tandem tyres to overcome thresholds and obstacles more easily. Material: Polyurethane
- **Totalising** of weights
- **Ready for use:** Batteries included (4 x 1.5 V AA). AUTO-OFF function to preserve the batteries. Operating time approx. 80 h / 1700 weighings

Technical data

- Large LCD display, digit height 28 mm

Accessories

- **Castors made of red polyurethane on aluminium rims.** Ideal for light-coloured flooring as they leave less visible abrasive marks. Suitable for the current models of the pallet truck scale ranges KERN VHB, KERN VHS (when retrofitting, please give the serial number of the pallet truck scale available when ordering), KERN VHB-A02



1 Shipment via freight forwarder. Please ask for dimensions, gross weight, shipping costs

STANDARD




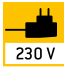

OPTION



1 2

Model	Weighing range	Readout	Net weight approx.	Permissible ambient temperature °C	Option	
					DAkkS Calibr. Certificate	DKD KERN
KERN VHB 2T1	[Max] kg 2000	[d] kg 1	kg 120	-10 °C / 40 °C	963-131	

KERN Pictograms:

 Internal adjusting: Quick setting up of the balance's accuracy with internal adjusting weight (motordriven).	 Piece counting: Reference quantities selectable. Display can be switched from piece to weight.	 Suspended weighing: Load support with hook on the underside of the balance.
 Adjusting program CAL: For quick setting up of the balance's accuracy. External adjusting weight required.	 Recipe level A: Separate memory for the weight of the tare container and the recipe ingredients (net total).	 Battery operation: Ready for battery operation. The battery type is specified for each device.
 Memory: Balance memory capacity, e.g. for article data, weighing data, tare weights, PLU etc.	 Recipe level B: Internal memory for complete recipes with name and target value of the recipe ingredients. User guidance through display.	 Rechargeable battery pack: Rechargeable set.
 Alibi memory: Electronic archiving of weighing results, complying with the 2009/23/EC standard.	 Recipe level C: Internal memory for complete recipes with name and target value of the recipe ingredients. User guidance through display, adjustment of recipe when dosages are exceeded, multiplier function, barcode.	 Universal mains adapter: with universal input and optional input socket adapters for A) EU, GB B) EU, GB, CH, USA C) EU, GB, CH, USA, AUS
 Data interface RS-232: To connect the balance to a printer, PC or network.	 Totalising level A: The weights of similar items can be added together and the total can be printed out.	 Mains adapter: 230V/50Hz in standard version for EU. On request GB, USA or AUS version available.
 RS-485 data interface: To connect the balance to a printer, PC or other peripherals. High tolerance against electromagnetic disturbance.	 Totalising level C: Internal memory for complete recipes with name and target value of the recipe ingredients. User guidance through display, adjustment of recipe when dosages are exceeded, multiplier function, barcode recognition.	 Power supply: Integrated in balance. 230V/50Hz standard EU. More standards e.g. GB, USA or AUS on request.
 USB data interface: To connect the balance to a printer, PC or other peripherals.	 Weighing principle: Strain gauge Electrical resistor on an elastic deforming body.	 Weighing principle: Tuning fork A resonating body is electromagnetically excited, causing it to oscillate.
 Bluetooth* data interface: To transfer data from the balance to a printer, PC or other peripherals.	 Percentage determination: Determining the deviation in % from the target value (100 %).	 Weighing principle: Electromagnetic force compensation Coil inside a permanent magnet. For the most accurate weighings.
 WLAN data interface: To transfer data from the balance to a printer, PC or other peripherals.	 Weighing units: Can be switched to e.g. non-metric units at the touch of a key. See balance model. Please refer to KERN's website for more details.	 Weighing principle: Single cell technology Advanced version of the force compensation principle with the highest level of precision.
 Control outputs (optocoupler, digital I/O): To connect relays, signal lamps, valves, etc.	 Weighing with tolerance range: Upper and lower limiting values can be programmed individually for e.g. dosing, sorting and portioning.	 Verification possible: The time required for verification is specified in the pictogram.
 Interface for second balance: For direct connection of a second balance.	 Hold function: (Animal weighing program) When the weighing conditions are unstable, a stable weight is calculated as an average value.	 DAKkS calibration possible (DKD): The time required for DAKkS calibration is shown in days in the pictogram.
 Network interface: For connecting the scale to an Ethernet network. With KERN products you can use a universal RS-232/LAN converter.	 Protection against dust and water splashes IPxx: The type of protection is shown in the pictogram.	 Package shipment: The time required for internal shipping preparations is shown in days in the pictogram.
 Wireless data transfer: between the weighing unit and the evaluation unit using an integrated radio module.	 ATEX explosion protection: Suitable for use in hazardous industrial environments, in which there is explosion danger. The ATEX marking is specified for each device.	 Pallet shipment: The time required for internal shipping preparations is shown in days in the pictogram.
 GLP/ISO log: The balance displays the weight, date and time, regardless of a printer connection.	 Stainless steel: The balance is protected against corrosion.	 Warranty: The warranty period is shown in the pictogram.
 GLP/ISO log: With weight, date and time. Only with KERN printers.		

KERN – Precision is our business

To ensure the high precision of your balance KERN offers you the the appropriate test weight in the international OIML error limit classes E1-M3 from 1 mg - 2000 kg. In combination with a DAKkS calibration certificate the best pre-requisite for proper balance calibration.

The KERN DAKkS calibration laboratory today is one of the most modern and best-equipped DAKkS calibration laboratories for balances, test weights and force-measurement in Europe.

Thanks to the high level of automation, we can carry out DAKkS calibration of

balances, test weights and force-measuring devices 24 hours a day, 7 days a week.

Range of services:

- DAKkS calibration of balances with a maximum load of up to 50 t
- DAKkS calibration of weights in the range of 1 mg – 2500 kg
- Database supported management of checking equipment and reminder service
- Calibration of force-measuring devices
- DAKkS calibration certificates in the following languages D, GB, F, I, E, NL, PL

Your KERN specialist dealer: